

## IHV150 SERIES RELAY



### Product Features

- Hermetically sealed — intrinsically safe. Operates in explosive /harsh environments without oxidation or contamination of contacts, during long periods of non-operation
- Inert gases in contact chamber, and arc-blow magnet, allow contact works in 900VDC condition
- Optional auxiliary contact for easy monitoring of power contact position
- Built-in coil economizer — only 1.7W hold power @ 12VDC and it limits back EMF to 0V. Models requiring external economizer also available
- Designed accordance to AIAG QS9000
- Not position sensitive, can be mounted in any orientation
- RoHS versions available

### Applications

- DC Charging, Solar Inverter, Energy Store Station, Test Equipment
- Battery Pack, Electric Vehicle-Mounted, Rail Transit, Motor Control
- Circuit Isolation, Circuit Protection and Safety in Industrial Machinery

### Approval cULus

### Coil Operating Voltage (Valid Over Temperature Range)

Voltage (Will Operate)	9-36 VDC
Maximum Voltage	36 VDC
Pickup (Close) Voltage Max.	9 VDC
Hold Voltage (Min.)	7.5 VDC
Drop Out Voltage (20°C) Max.	6 VDC
Inrush Current (Max.)	3.8 A
Holding Current (Avg.)	0.13A@12V 0.07A@24V
Inrush Time (Max.)	130mS

### Insulation data

Dielectric Withstand Voltage	
Between Open Contacts —	2200Vrms
Contacts to Coil —	2200Vrms
Insulation Resistance, Terminal to Terminal / Terminals to Coil	
When New	100 megohms, min. @ 500Vdc
At End of Life	50 megohms, min. @ 500Vdc

# High Voltage DC Contactors

## Main Contact data

Contact Form	SPST-NO-DM (1 Form X)
Switching Voltage (Max):	900VDC
Load Current	200A (Continues)
Break current (Max) :	1500A, 450VDC
Initial Voltage drop:	< 60mV (150A after 1 minute)
Operate time (Max)	25mS
Operate bounce (Max)	7mS
Release Time (Include arc time), under 1,500A, Max.	12mS
Mechanical Life (With Auxiliary contact)	500,000 cycles (300,000 cycles)

## Auxiliary Contact data

Contact Form	SPST-NO (1 Form A)
Contact Current, Max.	2A,30VDC / 3A, 125VAC
Contact Current, Min.	100mA, 8VDC
Contact Resistance, Max	0.5Ω @ 30VDC / 0.15Ω @125VAC

## Hot Switching Performance (Polarity Sensitive)

150A	+450VDC	make / break	3,000 cycles
150A	+750VDC	make / break	2,000 cycles
150A	-450VDC	make / break	500 cycles
1,500A	+450VDC	break only	10 cycles
600A		make only	26 cycles

## Environmental Data

Shock, 11ms 1/2 sine (operating) — 20G peak  
 Sine Vibration, 20G peak — 80-2,000 Hz.  
 Operating Temperature Range — -40°C to +85°C  
 Weight - about 430g

IHV150    A    5    A    N    A    XX

### Product series

IHV100 = 100A Relay

### Contact form

A = Normally Open

H = Normally Open + NO Aux Contacts

### Coil Voltage

A = 12~24VDC (Coil with the Economizer)

### Coil wire length

A = 15.3 inch / 390mm

### Coil Terminal connection

N = NONE

### Mounting & Power Terminal

A = Bottom mount & Male 10mm X M8 Threaded terminal

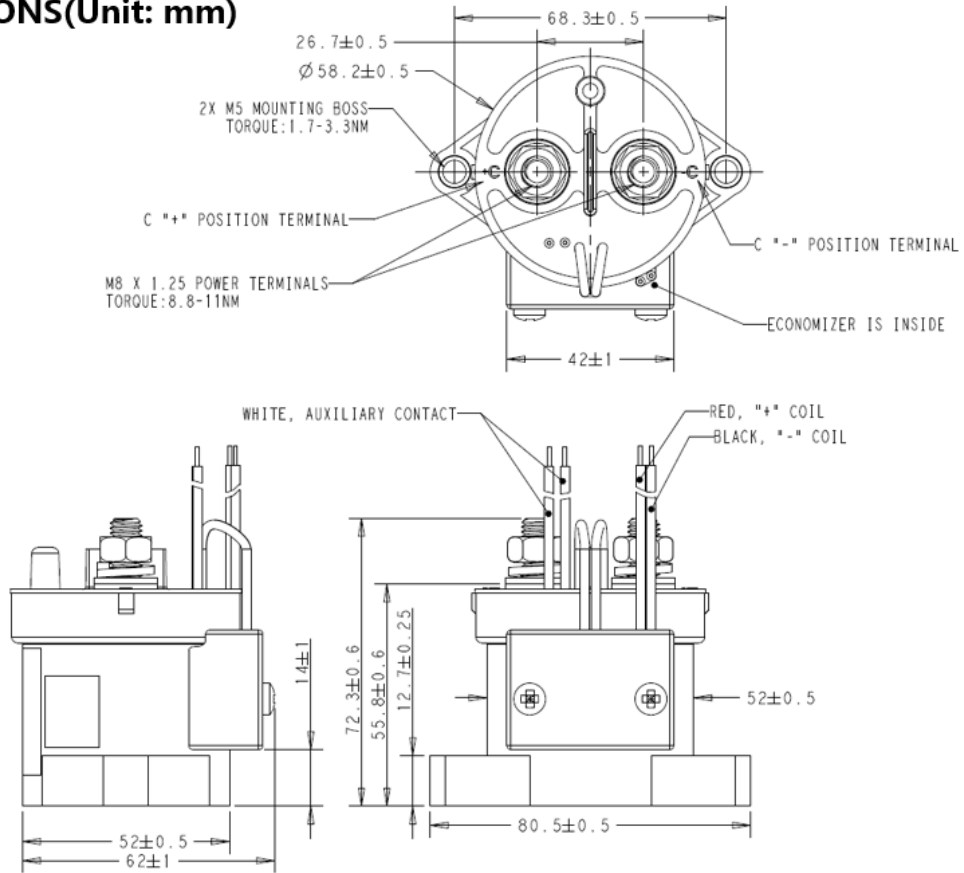
F = Side mount & Male 10mm X M8 Threaded terminal

### Customer Special Designator

XX 2 digit or letter specified by manufacture factory

# High Voltage DC Contactors

## DIMENSIONS(Unit: mm)



PART NUMBER	PRODUCT NAME	COIL VOLTAGE	AUX. CONTACT	ECONOMIZER
2071409-1	IHV150AAANA	12 - 24VDC	NONE	ATTACHED
2-2071409-1	IHV150HAANA	12 - 24VDC	NORMALLY OPEN	ATTACHED

© 2016 TE Connectivity Ltd. Family of Companies. All Rights Reserved.  
 TE, TE Connectivity, and the TE connectivity (logo) are trademarks of the TE Connectivity Ltd.  
 family of companies. Other logos, product and Company names mentioned herein may be  
 trademarks of their respective owners.  
 1-1773899-9 11/2016

USA: +1 (800) 522-6752  
 Canada: +1 (905) 475-6222  
 Mexico: +52 (0) 55-1106-0800  
 Latin/S. America: +54 (0) 11-4733-2200  
 Germany: +49 (0) 6251-133-1999

UK: +44 (0) 800-267666  
 France: +33 (0) 1-3420-8686  
 The Netherlands: +31 (0) 73-6246-999  
 China: +86 (0) 400-820-6015